

# Single-Channel, High-Speed, Low-Side Gate Driver

## GENERAL DESCRIPTION

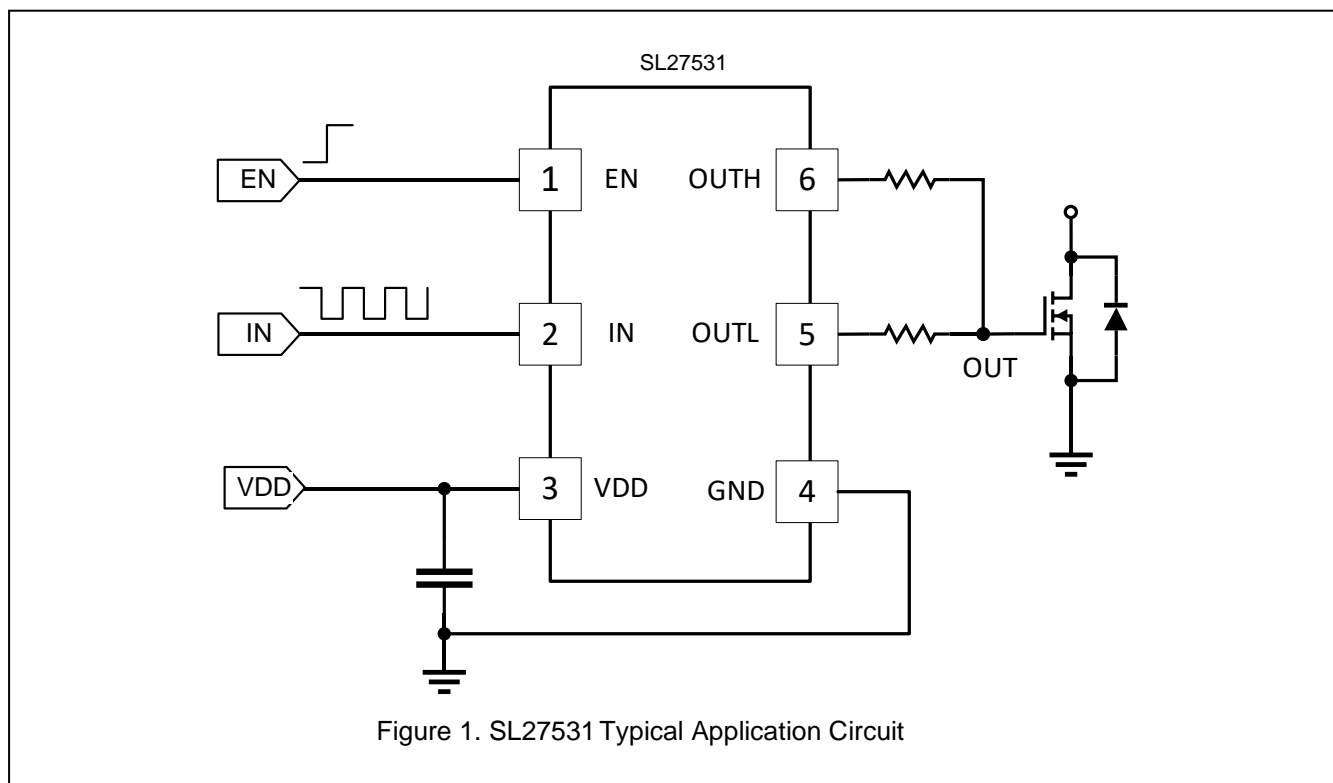
The SL27531 series single-channel, high-speed, low-side gate driver devices can effectively drive MOSFET and IGBT power switches. Using a design that inherently minimizes shoot-through current, SL27531 series products can source and sink high peak-current pulses into capacitive loads offering rail-to-rail drive capability and extremely small propagation delay, typically 21 ns.

The SL27531 can provide 5 A source, 5 A sink peak-drive current capability at 18 V VDD supply.

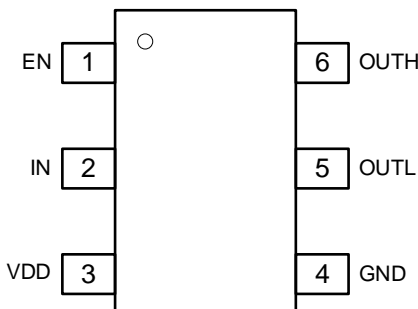
## FEATURES

- Low-cost gate-driver device offering superior replacement of NPN and PNP discrete solutions
- 5 A peak source and 5 A peak sink current
- Fast propagation delay (21 ns typical)
- Fast rise time (9 ns typical)
- Fast fall time (8 ns typical)
- 13.5V to 30V single supply range
- Under-voltage lockout
- TTL and CMOS compatible input logic threshold
- Dual input design (choice of an inverting or non-inverting driver configuration)
- Output held low when input pins are floating
- Operating temperature range of -40°C to 125°C
- SOT23-6, package

## TYPICAL APPLICATION CIRCUIT



## PIN CONFIGURATION

| Package | Pin Configuration (Top View)   |
|---------|--|
| SOT23-6 |  |

## PIN DESCRIPTION

| No.                  | Name | Function Description   |
|----------------------|------|--|
| <b>SiLM27531H-AQ</b> |      |  |
| 1                    | EN   | Enable pin. Connect this pin to VDD in order to enable output.   |
| 2                    | IN   | Noninverting Input   |
| 3                    | VDD  | Bias supply input.   |
| 4                    | GND  | Ground.  |
| 5                    | OUTL | Sinking current output of driver. Connect resistor between OUTL and Gate of power-switching device to adjust turn off speed. |
| 6                    | OUTH | Sourcing current output of driver. Connect resistor between OUTH and Gate of power-switching device to adjust turn on speed. |

## ORDERING INFORMATION

| Order Part No. | UVLO  | Package | QTY       |
|----------------|-------|---------|-----------|
| SL27531        | 12.5V | SOT23-6 | 3000/Reel |



## ABSOLUTE MAXIMUM RATINGS<sup>1,2,3</sup>

Over operating free-air temperature range (unless otherwise noted)

| Symbol          | Description                                   | Min  | Max                  | Unit |
|-----------------|---|------|----------------------|------|
| V <sub>DD</sub> | Supply Voltage                                | -0.3 | 33                   | V    |
| V <sub>O</sub>  | Continuous voltage on OUTH, OUTL              | 0.3  | V <sub>DD</sub> +0.3 |      |
|                 | Repetitive pulse less than 200ns <sup>4</sup> | -2   | V <sub>DD</sub> +0.3 |      |
| IN, EN          | Voltage on the IN, EN <sup>5</sup>            | -6   | 33                   | °C   |
| T <sub>J</sub>  | Junction temperature                          | -40  | 150                  |      |
| T <sub>L</sub>  | Lead temperature (soldering, 10 seconds)      |      | 300                  |      |
| T <sub>S</sub>  | Storage temperature                           | -65  | 150                  |      |

- 1) Stresses beyond those listed under Absolute Maximum Ratings may cause permanent damage to the device. These are stress ratings only and functional operation of the device at these or any other conditions beyond those indicated under Recommended Operating Conditions is not implied. Exposure to absolute-maximum-rated conditions for extended periods may affect device reliability.
- 2) All voltages are with respect to GND unless otherwise noted. Currents are positive into, negative out of the specified terminal.
- 3) These devices are sensitive to electrostatic discharge; follow proper device-handling procedures.
- 4) Values are verified by characterization on bench.
- 5) Maximum voltage on input pins is not restricted by the voltage on the VDD pin.

## RECOMMENDED OPERATION CONDITIONS

Over operating free-air temperature range (unless otherwise noted)

| Symbol          | Definition                  | Min  | Max | Unit |
|-----------------|-----------------------------|------|-----|------|
| V <sub>DD</sub> | Supply voltage range        | 13.5 | 30  | V    |
| IN, EN          | Input voltage               | -5   | 30  |      |
| T <sub>A</sub>  | Operation temperature range | -40  | 125 | °C   |

## DYNAMIC ELECTRICAL CHARACTERISTICS

Over operating free-air temperature range (unless otherwise noted)

| Symbol   | Parameter   | Condition                                       | Min. | Typ. | Max. | Unit |
|----------|---|---|------|------|------|------|
| $t_{D1}$ | Input to output turn-on propagation delay               | $V_{DD}=18V$ , 5V input pulse, $C_{LOAD}=1.8nF$ |      | 21   | 28   | ns   |
| $t_{D2}$ | Input to output turn-off propagation delay              | $V_{DD}=18V$ , 5V input pulse, $C_{LOAD}=1.8nF$ |      | 21   | 28   |      |
| $t_R$    | Turn-on rise time                                       | $V_{DD}=18V$ , $C_{LOAD}=1.8nF$                 | 7    | 9    | 13   |      |
| $t_F$    | Turn-off fall time                                      | $V_{DD}=18V$ , $C_{LOAD}=1.8nF$                 | 5    | 8    | 11   |      |
| $t_{PW}$ | Minimum input pulse width that changes the output state |   |      | 10   | 15   |      |

## STATIC ELECTRICAL CHARACTERISTICS

$V_{DD}=18V$ , 10 $\mu F$  capacitor from VDD to GND.  $T_A = -40^{\circ}C$  to  $+125^{\circ}C$  unless otherwise specified.

| Symbol        | Parameter   | Condition   | Min. | Typ. | Max. | Unit    |
|---------------|---|---|------|------|------|---------|
| $V_{IH}$      | Logic high input voltage threshold for IN, EN pin | Output high   | 1.8  | 2    | 2.2  | V       |
| $V_{IL}$      | Logic low input voltage threshold for IN, EN pin  | Output low  | 0.8  | 1    | 1.2  |         |
| $V_{OH}$      | High level output voltage, $V_{DD} - V_O$         | $I_O = -10 mA$  |      | 7    | 13   | mV      |
| $V_{OL}$      | Low level output voltage, $V_O$                   | $I_O = 10 mA$   |      | 5    | 9    |         |
| $I_{DD(off)}$ | Startup current                                   | $V_{DD}=7V$   | 50   | 86   | 140  | $\mu A$ |
| $V_{DDUV+}$   | Undervoltage positive going threshold             | SL27531   | 11.5 | 12.5 | 13.5 | V       |
| $V_{DDUV-}$   | Undervoltage negative going threshold             | SL27531   | 10.5 | 11.5 | 12.5 | V       |
| $I_O$         | Output high short circuit pulsed current          | $V_O = 0 V$<br>$V_{IN} = \text{Logic "1"}$<br>$PW \leq 10 \mu s$  |      | -5   |      | A       |
|               | Output low short circuit pulsed current           | $V_O = 18 V$<br>$V_{IN} = \text{Logic "0"}$<br>$PW \leq 10 \mu s$ |      | 5    |      |         |

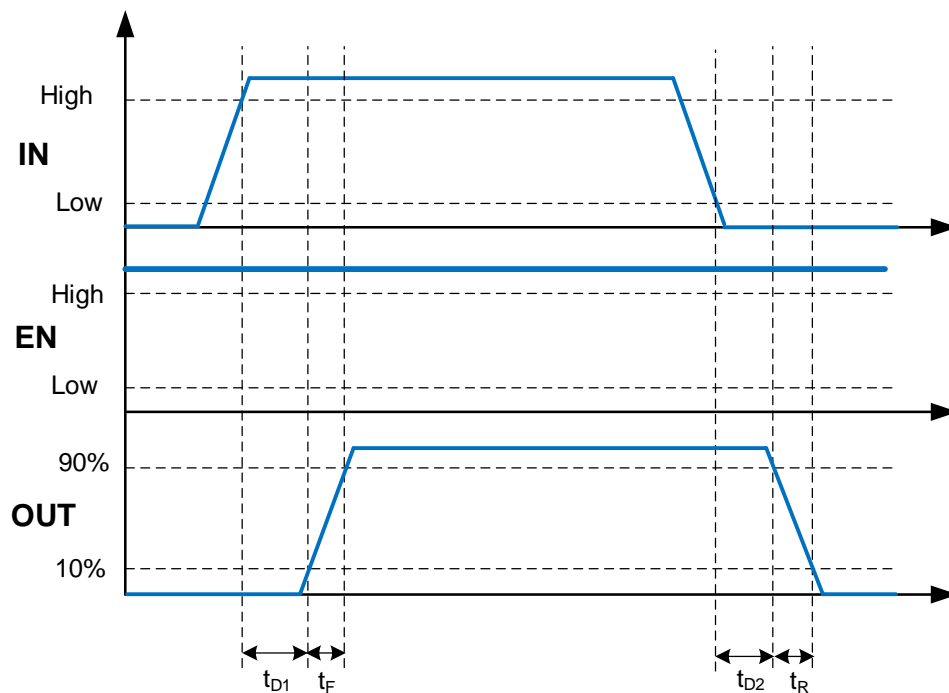


Figure 3. SL27531 (OUTH tied to OUTL) Enabled Output

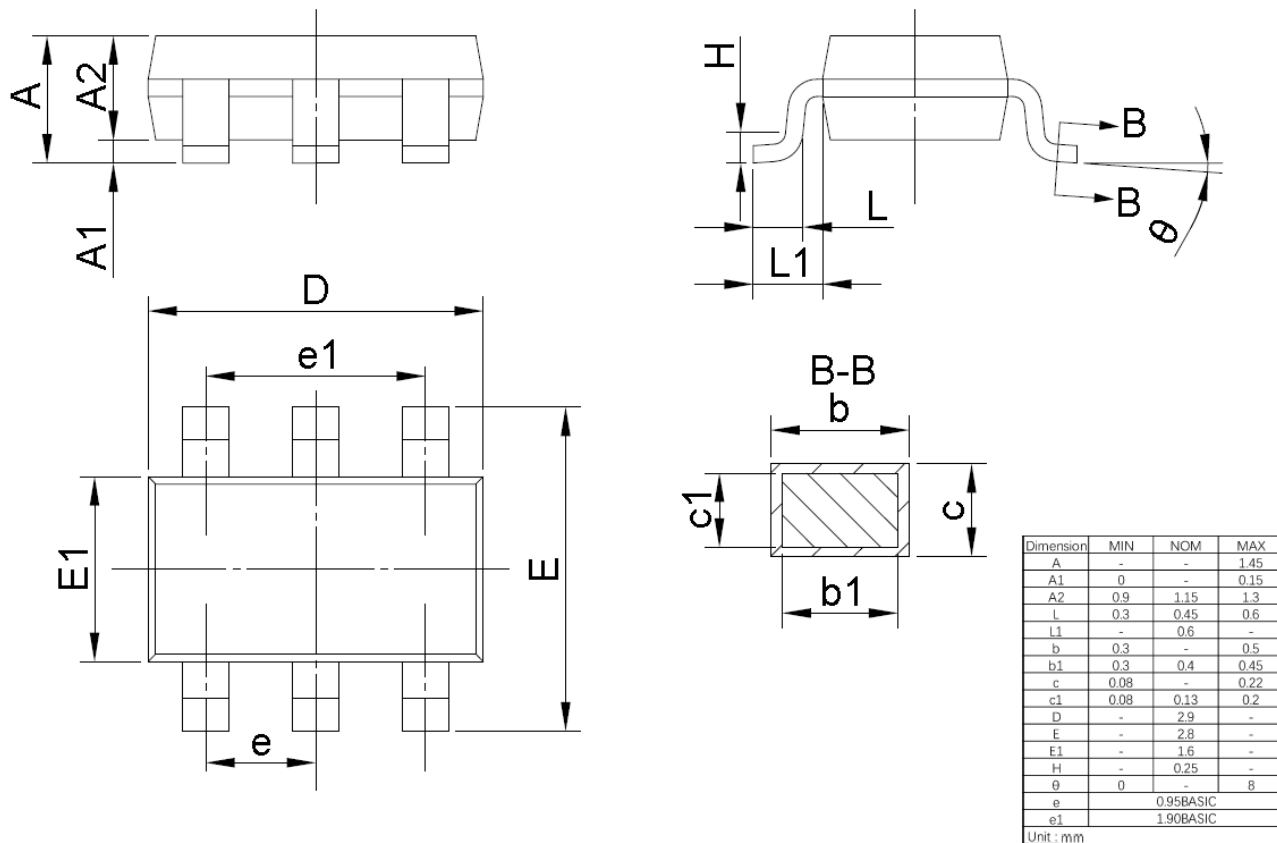
**PACKAGE CASE OUTLINES**


Figure 4. SOT23-6 Outline Dimensions